



OPERATING MANUAL

MODELS:

50-ALM-2J

50-ALM

50-ALMAA

50-ALMH

50-ALMP

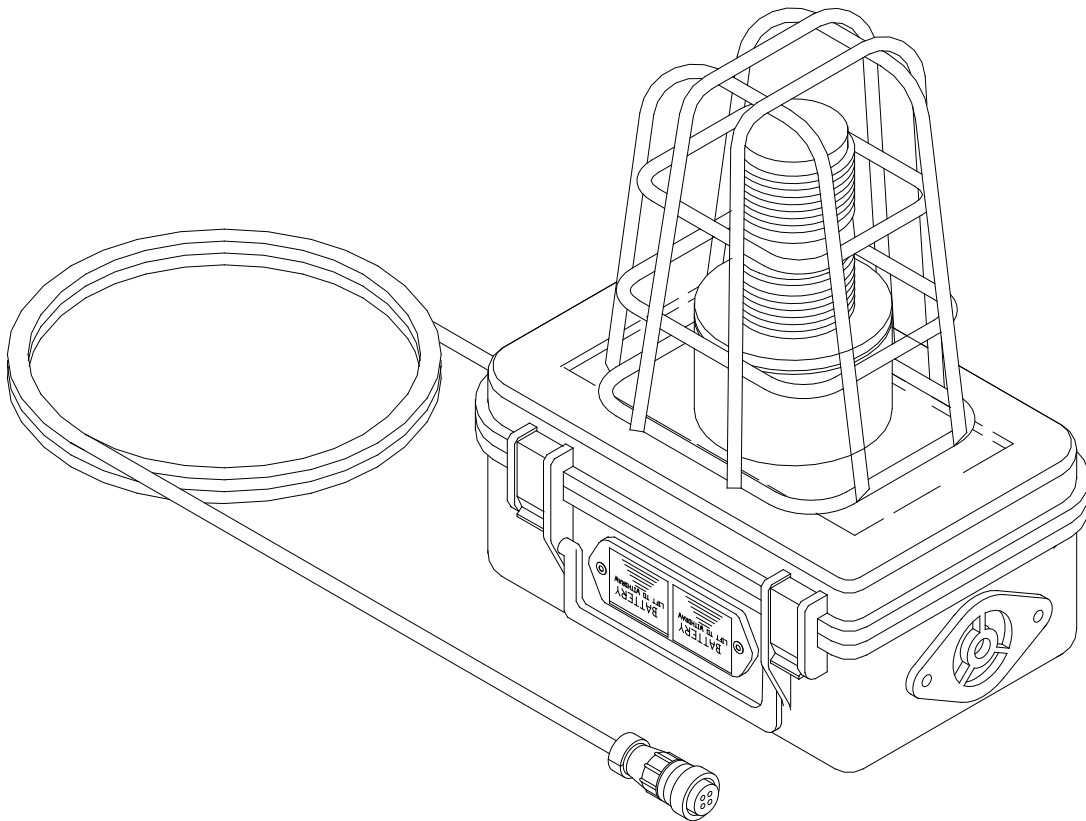
50-ALMST

50-ALMSTAA

50-ALMSTH

50ALMSTHAA

50-ST



AIR SYSTEMS INTERNATIONAL, INC.

829 Juniper Crescent, Chesapeake, Va, 23320

Telephone (757) 424-3967

Toll Free 1-800-866-8100

Fax No. (757) 424-5348

<http://www.airsystems.com>

e-mail: sales@airsystems.com

50-ALM-2J OPERATION

STEP 1)

Install (2) 9 volt batteries in the battery holder. Be sure to install batteries correctly.

STEP 2)

Attach the cable assembly to the remote alarm jack located on the Breather Box.

STEP 3)

Attach the remote alarms to the remote alarm output jacks.

STEP 4)

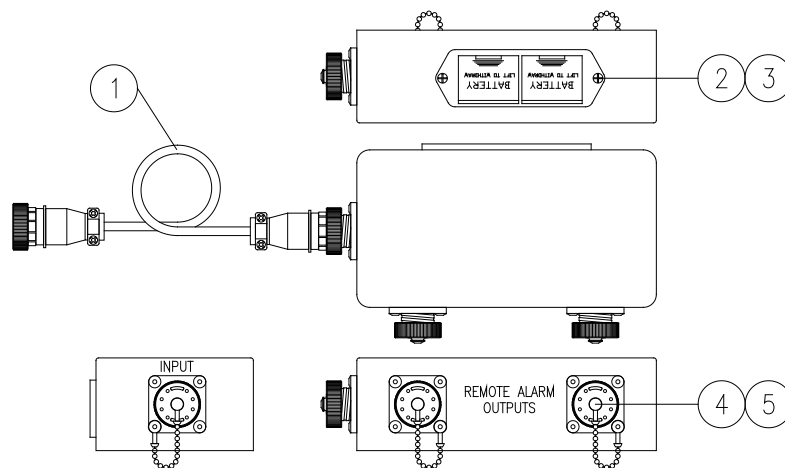
If the remote alarm is connected to a device that monitors for CO or CO/O₂, locate the "ON/OFF/TEST" switch on the right endplate of the CO or CO/O₂ monitor. Hold the switch in the "TEST" position and check the remote alarm, the audible alarm (if installed) should be pulsing and the strobe (if installed) should be flashing. Release the switch to the "ON" position. The unit is now operational.

STEP 5)

If the remote alarm is connected to a device that signals a loss of pressure, locate the low pressure alarm ON/OFF switch and place it in the "ON" position. The audible alarm (if installed) should be pulsing and the strobe (if installed) should be flashing. Note: Pressure must be below 500psi on high pressure units or below 50psi on low pressure units for the alarms to activate. The unit is now operational.

TROUBLESHOOTING

- If the remote alarm is not functioning or the alarm signal is very weak, replace the 9 volt batteries in the unit.
- If one of the remote alarm jacks is not working; remove the cover and check for loose connections.



| ITEM # | DESCRIPTION | PART # |
|--------|-------------------|-----------|
| 1 | 3' CABLE ASSEMBLY | 50ALM2JCA |
| 2 | BATTERY HOLDER | MONC006 |
| 3 | 9 VOLT BATTERY | ELB9V |
| 4 | REMOTE ALARM JACK | ELJP004 |
| 5 | DUST CAP | ELJP005 |

50-ALM, 50-ALMH, 50-ALMST, 50-ALMSTH, 50-ST OPERATION

STEP 1)

If the remote alarm is connected to a device that monitors for CO or CO/O₂, locate the “ON/OFF/TEST” switch on the right endplate of the CO or CO/O₂ monitor. Hold the switch in the “TEST” position and check the remote alarm, the audible alarm (if installed) should be pulsing and the strobe (if installed) should be flashing. Release the switch to the “ON” position. The unit is now operational.

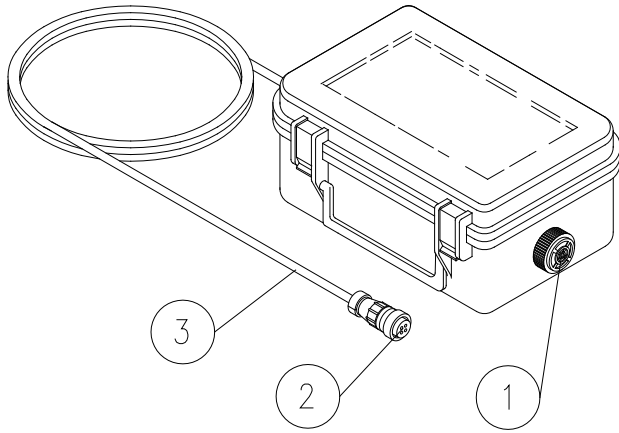
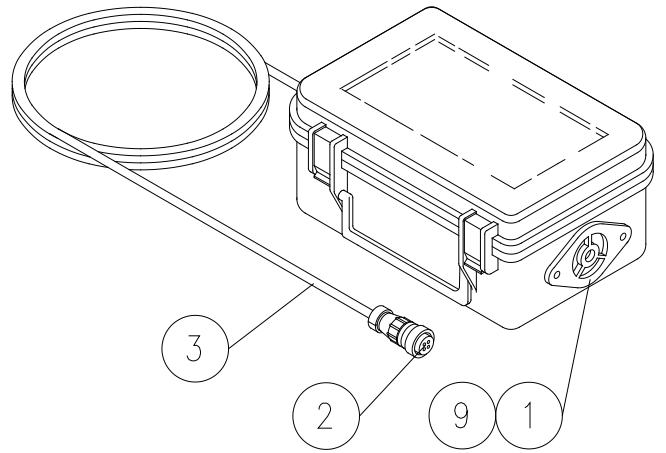
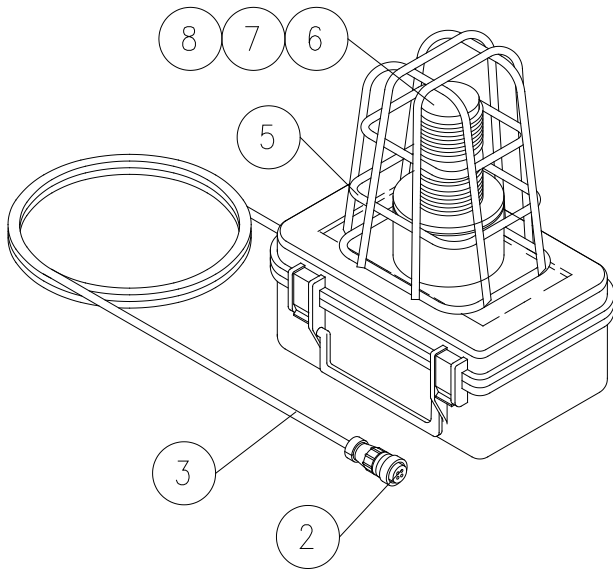
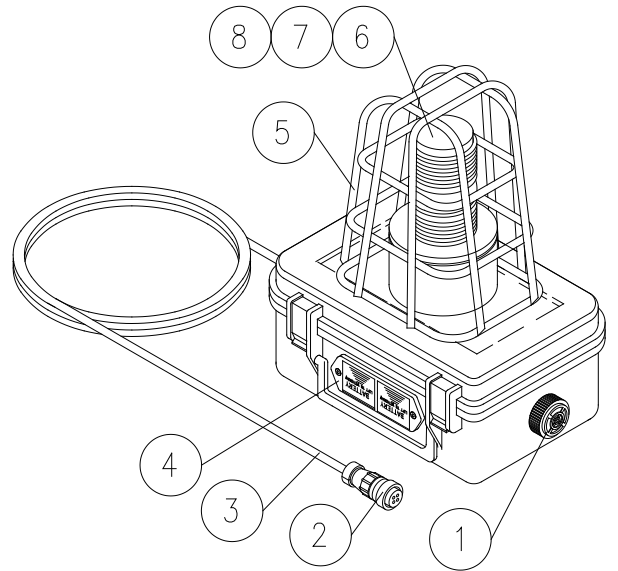
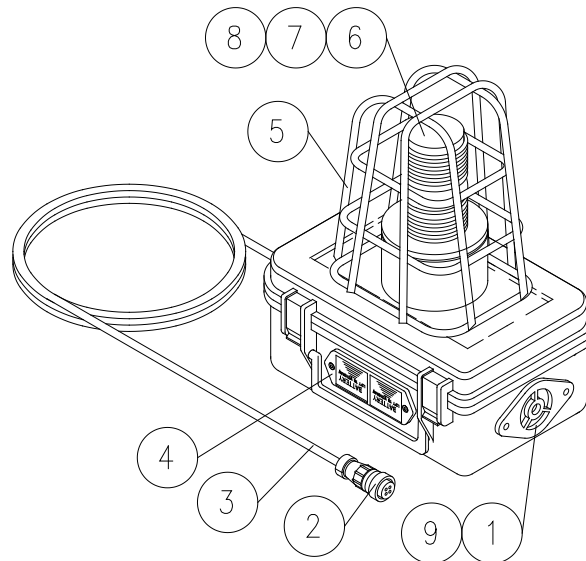
STEP 2)

If the remote alarm is connected to a device that signals a loss of pressure, locate the low pressure alarm ON/OFF switch and place it in the “ON” position. The audible alarm (if installed) should be pulsing and the strobe (if installed) should be flashing. Note: Pressure must be below 500psi on high pressure units or below 50psi on low pressure units for the alarms to activate. The unit is now operational.

TROUBLESHOOTING

| PROBLEM | SOLUTION |
|---|---|
| Remote alarm does not operate but primary alarm does. | Check batteries in primary unit and remote alarm and replace if necessary. Some remote alarm models do not have 9 volt batteries. |
| | Check remote alarm cable for damage and repair or replace. |
| | Make sure remote alarm cable is properly connected to remote alarm jack on primary unit. |
| | Open lid on remote alarm and check for loose or missing connections on audible alarm and/or strobe. |

Note: “Primary unit” refers to the unit the remote alarm is connected to. This could be a unit with a CO or CO/O₂ monitor or a unit with a low pressure alarm.

50-ALM**50-ALMH****50-ST****50-ALMST****50-ALMSTH**

REPLACEMENT PARTS

| ITEM # | DESCRIPTION | 50-ALM | 50-ALMH | 50-ST | 50-ALMST | 50-ALMSTH |
|--------|--------------------------|---------|------------|----------|----------|------------|
| 1 | AUDIBLE ALARM | ELLS004 | ELLS003 | N/A | ELLS004 | ELLS003 |
| 2 | 4 POSITION CONNECTOR | ELJP003 | ELJP003 | ELJP003 | ELJP003 | ELJP003 |
| 3 | CABLE (SOLD BY THE FOOT) | ELCB006 | ELCB006 | ELCB006 | ELCB006 | ELCB006 |
| 4 | BATTERY HOLDER | N/A | N/A | N/A | MONC006 | MONC006 |
| 5 | STROBE GUARD | N/A | N/A | ELDS011 | ELDS011 | ELDS011 |
| 6 | RED STROBE | N/A | N/A | ELDS007 | ELDS007 | ELDS007 |
| 7 | REPLACEMENT BULB | N/A | N/A | ELDS010 | ELDS010 | ELDS010 |
| 8 | RED LENS | N/A | N/A | ELDS010L | ELDS010L | ELDS010L |
| 9 | ALARM BRACKET | N/A | PBK-ALMSTH | N/A | N/A | PBK-ALMSTH |

50ALMSTAA, 50-ALMSTAA, 50-ALMAA

OPERATION

STEP 1)

If the remote alarm is connected to a device that monitors for CO or CO/O₂, locate the “ON/OFF/TEST” switch on the right endplate of the CO or CO/O₂ monitor. Hold the switch in the “TEST” position and check the remote alarm, the audible alarm (if installed) should be sounding. Release the switch to the “ON” position.

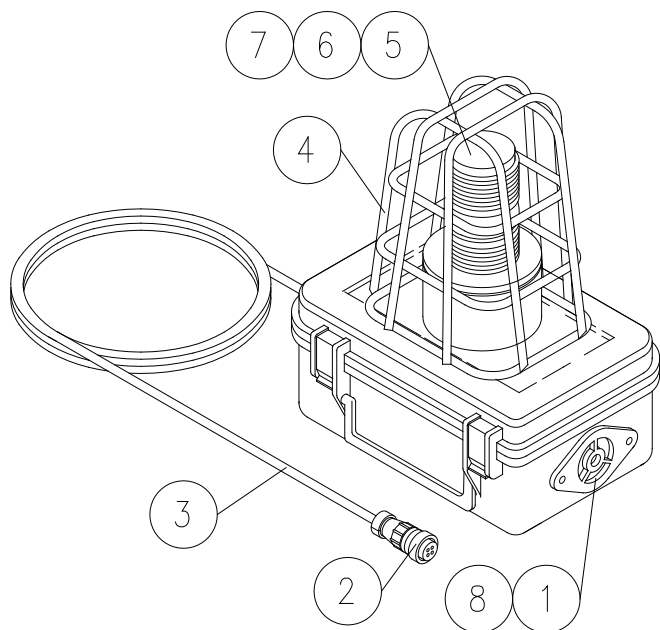
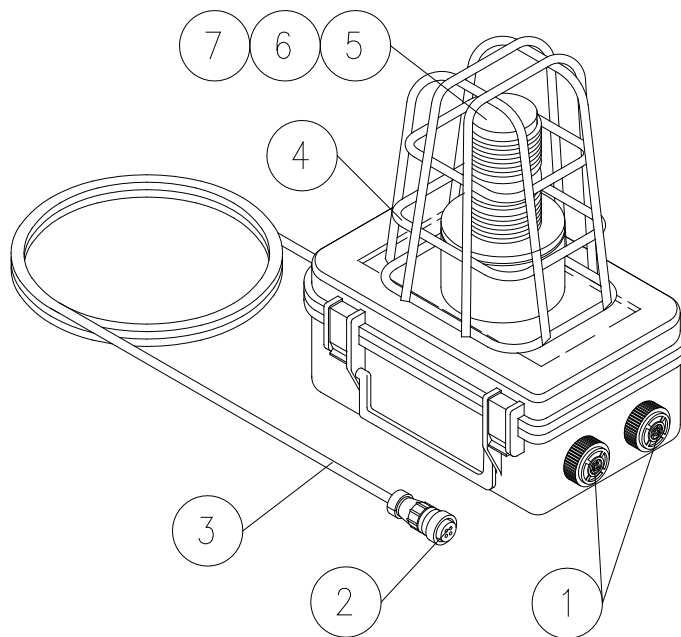
STEP 2)

If the remote alarm is connected to a device that signals back-up air, locate the back-up air alarm ON/OFF switch and place it in the “ON” position. If pressure is below 50 psi the audible alarm should be sounding and the strobe (if installed) should be flashing. The unit is now operational.

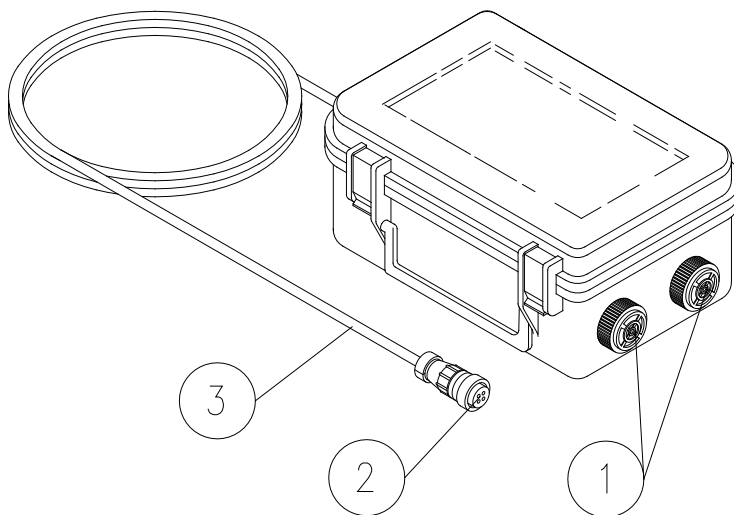
Note: Strobes activate in back-up air mode only on models 50-ALMHAA and 50-ALMSTAA.

TROUBLESHOOTING

| PROBLEM | SOLUTION |
|--|---|
| Remote alarm does not operate but primary alarm(s) do. | Check batteries in primary unit and remote alarm and replace if necessary. Some remote alarm models do not have 9 volt batteries. |
| | Check remote alarm cable for damage and repair or replace. |
| | Make sure remote alarm cable is properly connected to remote alarm jack on primary unit. |
| | Open lid on remote alarm and check for loose or missing connections on audible alarm and/or strobe. |

50ALMSTHAA**50-ALMSTAA**

Note: Strobes activate in back-up air mode only on models 50ALMSTHAA and 50-ALMSTAA.

50-ALMAA

| ITEM # | DESCRIPTION | 50ALMSTHAA | 50-ALMSTAA | 50-ALMAA |
|--------|--------------------------|------------|------------|----------|
| 1 | AUDIBLE ALARM | ELLS003 | ELLS004 | ELLS004 |
| 2 | 4 POSITION CONNECTOR | ELJP003 | ELJP003 | ELJP003 |
| 3 | CABLE (SOLD BY THE FOOT) | ELCB007 | ELCB018 | ELCB018 |
| 4 | STROBE GUARD | ELDS011 | ELDS011 | N/A |
| 5 | RED STROBE | ELDS007 | ELDS007 | N/A |
| 6 | REPLACEMENT BULB | ELDS010 | ELDS010 | N/A |
| 7 | RED LENS | ELDS010L | ELDS010L | N/A |
| 8 | ALARM BRACKET | PBK-ALMSTH | N/A | N/A |

50-ALMP

OPERATION

STEP 1)

Turn the regulator knob in the remote alarm box fully counterclockwise.

STEP 2)

Pressurize the primary device.

STEP 3)

Set primary device in alarm mode. This could be high CO, backup air, power loss, or low pressure.

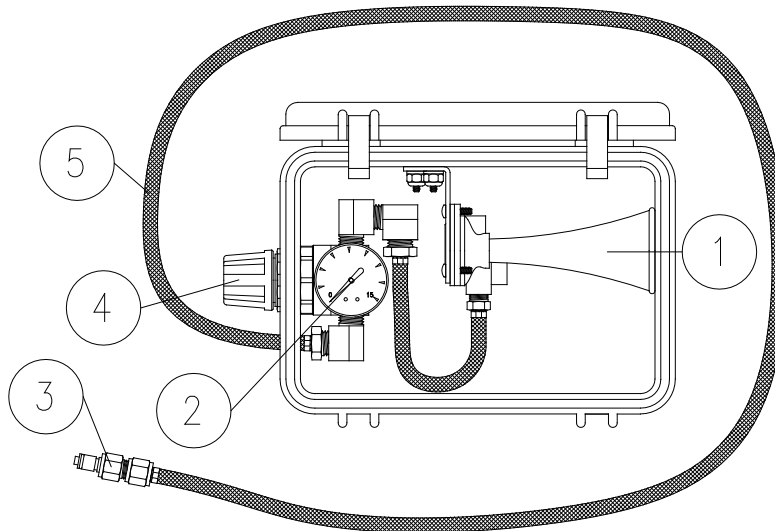
STEP 4)

Turn regulator knob in remote alarm box clockwise until horn reaches desired sound level (20 psi is usually sufficient).

STEP 5)

Reset the primary device to normal operation. The unit is now operational.

50-ALMP



| ITEM # | DESCRIPTION | 50-ALMHAA |
|--------|-------------------------------------|-----------|
| 1 | PNEUMATIC HORN | GAMLHORN |
| 2 | PRESSURE GAUGE | GA1560B |
| 3 | PLUG | QD129 |
| 4 | PRESSURE REGULATOR | WL013 |
| 5 | 3/16" X 5/16" BRAIDED HOSE/PER FOOT | HOS004 |



AIR SYSTEMS INTERNATIONAL, INC.

829 Juniper Crescent, Chesapeake, Va, 23320

Telephone (757) 424-3967

Toll Free 1-800-866-8100

Fax No. (757) 424-5348

<http://www.airsystems.com>

e-mail: sales@airsystems.com