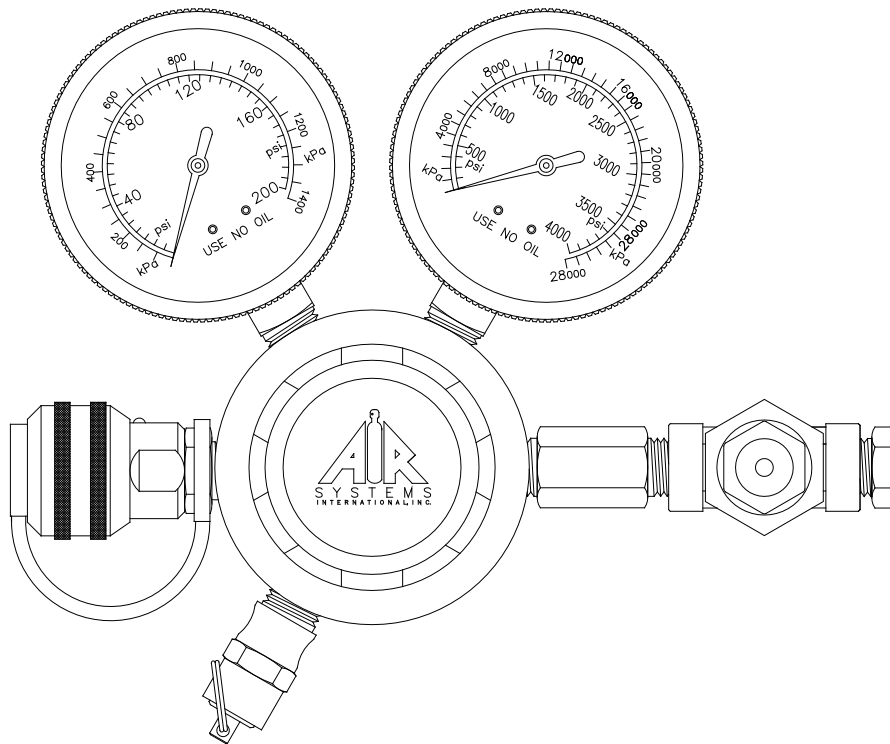




## OPERATING INSTRUCTIONS AND REPLACEMENT PARTS

### Models: RG-3000 and RG-5000



### WARNING

This manual must be read carefully and followed by all persons who have or will have the responsibility for using or servicing this equipment. This equipment will perform as designed only if used according to the instructions. Otherwise it could fail to perform as designed, causing personal injury or death.

### AIR SYSTEMS INTERNATIONAL, INC.

829 Juniper Crescent, Chesapeake, Va, 23320

Telephone (757) 424-3967

Toll Free 1-800-866-8100

Fax No. (757) 424-5348

[www.airsystems.com](http://www.airsystems.com).

e-mail: [sales@airsystems.com](mailto:sales@airsystems.com)

## Warranty

Air Systems' manufactured equipment is warranted to the original user against defects in workmanship or materials under normal use for one year from the date of purchase. Any part which is determined by Air Systems to be defective in material or workmanship will be, as the exclusive remedy, repaired or replaced at Air Systems' option. This warranty does not apply to electrical systems or electronic components. Electrical parts are warranted, to the original user, for 90 days from the date of sale. During the warranty period, electrical components will be repaired or replaced at Air Systems' option.

**NO OTHER WARRANTY, EXPRESSED OR IMPLIED, AS TO DESCRIPTION, QUALITY, MERCHANTABILITY, FITNESS FOR A PARTICULAR PURPOSE, OR ANY OTHER MATTER IS GIVEN BY AIR SYSTEMS IN CONNECTION HERewith. UNDER NO CIRCUMSTANCES SHALL THE SELLER BE LIABLE FOR LOSS OF PROFITS, ANY OTHER DIRECT OR INDIRECT COSTS, EXPENSES, LOSSES, OR DAMAGES ARISING OUT OF DEFECTS IN, OR FAILURE OF THE PRODUCT OR ANY PART THEREOF.**

The purchaser shall be solely responsible for compliance with all applicable Federal, State and Local OSHA and/or MSHA requirements. Although Air Systems International believes that its products, if operated and maintained as shipped from the factory and in accordance with our "operations manual", conform to OSHA and/or MSHA requirements, there are no implied or expressed warranties of such compliance extending beyond the limited warranty described herein. Product designs and specifications are subject to change without notice. Rev. 2, 12/98

Air leaks are not covered under warranty except when they result from a defective system component, i.e. an on/off valve or regulator or upon initial delivery due to poor workmanship. Air leaks due to poor delivery or damage will be covered under delivery claims. Minor air leaks are part of routine service and maintenance and are the responsibility of the customer just as are filters and oil changes.

## Overview

High pressure regulators are designed to attach to high pressure air cylinders and reduce output air pressure. Low pressure discharge air can be regulated from 0 PSI to approximately 120 PSI. A 125 PSI relief valve is installed to prevent over pressurization of the respirator or accessory in use.

## Set-up/Operation

### STEP 1)

Connect CGA connection to a high pressure cylinder. RG-3000 has a CGA-346 connection and has a 3000 PSI maximum inlet pressure rating. RG-5000 has a CGA-347 connection and has a 5500 PSI maximum inlet pressure rating.

**NOTE:** If regulator assembly is to be used for breathing, cylinder air should be Grade-D or better.

### STEP 2)

Attach hose and respirator to outlet coupling.

### STEP 3)

Open the cylinder and verify cylinder pressure is sufficient on inlet pressure gauge.

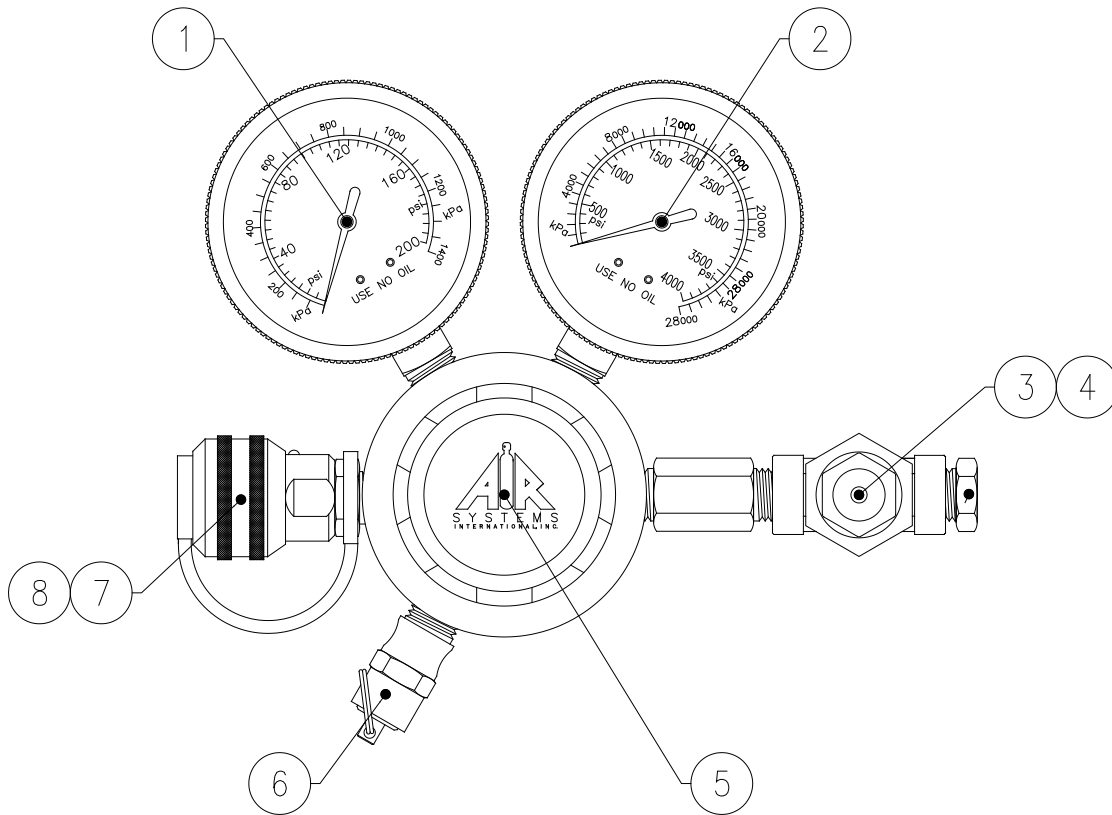
### STEP 4)

Adjust regulator knob to desired outlet pressure. Turn knob clockwise to increase pressure or counterclockwise to decrease pressure.

## Specifications

Maximum Inlet Pressure	RG-3000 - 3000 PSI (207 BAR) RG-5000 - 5500 PSI (379 BAR)
Maximum Outlet Pressure	125 PSI (8.6 BAR)
Respirator Connections	1
Relief Valve	125 PSI (8.6 BAR) ASME Preset

## System Components



ITEM #	DESCRIPTION	PART #
1	OUTLET PRESSURE GAUGE, 0-200 PSI	GA25200SRG
2	INLET PRESSURE GAUGE, 0-4000 (RG-3000)	GA254KSREG
2A	INLET PRESSURE GAUGE, 0-6000 (RG-5000)	GA256KSREG
3	CGA-346 NIPPLE (RG-3000)	HPBR026
3A	CGA-347 NIPPLE (RG-5000)	HPBR050
4	CGA-346 NUT (RG-3000)	HPBR025
4A	CGA-347 NUT (RG-5000)	HPBR049
5	REGULATOR - NO GAUGES (RG-3000)	REG-3000NG
5A	REGULATOR - NO GAUGES (RG-5000)	REG-5000NG
6	125 PSI RELIEF VALVE	VR4125BR
7	HANSEN COUPLING	QDH3SL4M
7A	SCHRADER COUPLING	QDSSL4M
8	HANSEN DUST CAP	QDH3DCAP
8A	SCHRADER DUST CAP	QDSDCAP



**AIR SYSTEMS INTERNATIONAL, INC.**

829 Juniper Crescent, Chesapeake, Va, 23320

Telephone (757) 424-3967

Toll Free 1-800-866-8100

Fax No. (757) 424-5348

<http://www.airsystems.com>

e-mail: [sales@airsystems.com](mailto:sales@airsystems.com)